



Lite Up

Direct - Indirect

delviro energy

94 Brockport Drive, Toronto, Ontario, M9W 7J8 | Tel. 1.877.502.3434 | info@delviro.com

www.delviro.com

Date:	Fixture:
Qty:	Client/ Project:



Lite Up

High Bay and Linear Ambient
[direct-indirect] Applications

FEATURES

- Contemporary style
- Cutting edge design
- Direct - Indirect
- White finish
- 4 and 8 foot length options



10 Year
Warranty

SPECIFICATIONS

Efficacy:

126 Lm/W

CRI:

85

Color Temperature:

3000K, 3500K, 4000K, 5000K

Lumen Maintenance:

200,000+ Life Hours (L70)

Voltage:

120/277V | 347V

Control Options:

0-10V Dimming, Wireless option

Operating Temperature:

-20°C to +40°C

Mounting Options:

Aircraft Cable

Wiring Options:

White Flexible Cord 12

Accessories:

90 Min 15W EM Battery
0-10 1% Dim to off Driver

OUTPUT PERFORMANCE

Model	Length	Color Temp	Input Watts	Lm/W	Delivered Lumens
ECOCTC45500 60	4'	5000K	63.4	126	7217
ECOCTC811000 120	8'	5000K	126.7	126	14434
ECOCTC811000 160	8'	5000K	160	126	20160

Note: Not all products are qualified on the DLC QPL.

To view our DLC qualified products, please consult the DLC qualified products list at www.designlights.org/qpl.

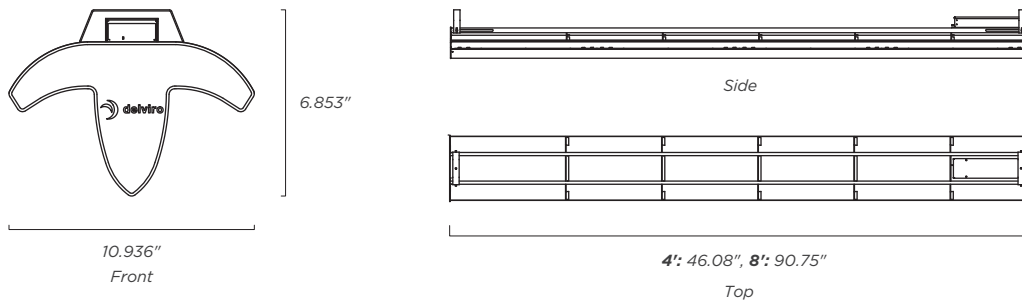
delviro energy

94 Brockport Drive, Toronto, Ontario, M9W 7J8 | Tel. 1.877.502.3434 | info@delviro.com | www.delviro.com

© delviro energy 2018

Specifications subject to change without notice.

DIMENSIONS



ORDERING GUIDE

MODEL	WATTS	COLOR TEMP	VOLTAGE	FINISH	ORIENTATION	MOUNTING
ECOCTC45500	60	3K 3000K	U 120/277V	WH White	IND Indirect	AC Aircraft Cable
ECOCTC811000	120	35K 3500K	H 347V			
ECOCTC811000	160	4K 4000K				
		5K 5000K				
				WH	IND	AC
WIRING		ACCESSORIES				
WFC12	White Flexible Cord 12	N	None			
		EM	90 Min 15W EM Battery			
		DIMOFF	0-10 1% Dim to off Driver			
	WFC12					

delviro energy

94 Brockport Drive, Toronto, Ontario, M9W 7J8 | Tel. 1.877.502.3434 | info@delviro.com | www.delviro.com

© delviro energy 2018

Specifications subject to change without notice.