



## **Thinline 3.18**

Surface Mount

**delviro energy**

94 Brockport Drive, Toronto, Ontario, M9W 7J8 | Tel. 1.877.502.3434 | [info@delviro.com](mailto:info@delviro.com)

[www.delviro.com](http://www.delviro.com)

Date:	Fixture:
Qty:	Client/ Project:



## Thinline 3.18

### Surface Mount

#### FEATURES

- Aluminum housing 3.18" wide
- Lengths: 2', 4', 6', 8'
- Continuous runs options
- Polycarbonate frosted lens
- Louver lens option
- Wall wash optic option
- Motion sensor compatible
- Standard Grey, White and Black finishes
- Custom finishes available



**10** Year  
Warranty

#### SPECIFICATIONS

**Efficacy:**

98 Lm/W

**CRI:**

80+

**Color Temperature:**

3000K, 3500K, 4000K, 5000K

**Lumen Maintenance:**

200,000+ Life Hours (L70)

**Voltage:**

120/277V | 347V | 480V (option)

**Control Options:**

0-10V Dimming, DMX, DALI, Wireless

**Operating Temperature:**

-20°C to +40°C

**Mounting Options:**

Surface

**Wiring Options:**

Black, White, Grey Flexible Cord,  
3 and 5 Conductor Wire

**Accessories:**

10kV Surge Protection,  
0-10 1% Dim to Off Driver

#### OUTPUT PERFORMANCE

Watts/ft	Delivered Lumens/ft
2.5	250
3.5	350
5	500
7.5	750
10	1000

#### Custom Output Packages

**Step 1:**

Select Model:

2', 4', 6', 8'

**Step 2:**

Select:

Watts/ft - Delivered lumens/ft

**Sample Output Package:** Thinline 8', 10W/ft - 1000 Delivered lumens/ft  
yields: 80W and 8000 Lumens

*\* Watts per foot available on all lengths*

#### MAX LINEAR FT

Model	Feet
120V	120
240V	240
277V	250
347V	250

**Note:** Not all products are qualified on the DLC QPL.

To view our DLC qualified products, please consult the DLC qualified products list at [www.designlights.org/qpl](http://www.designlights.org/qpl).

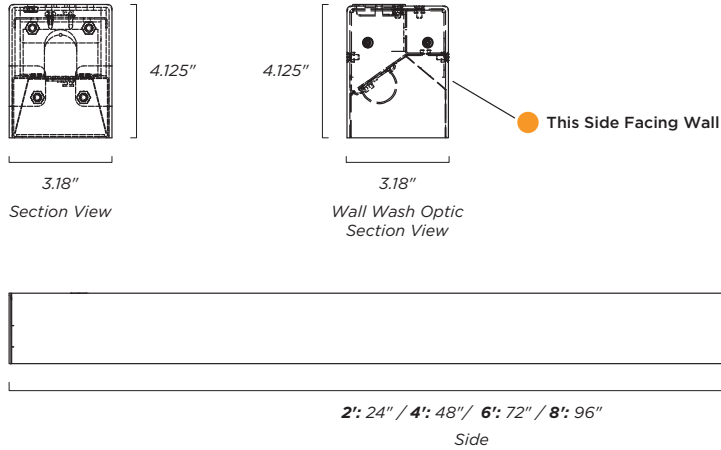
**delviro energy**

94 Brockport Drive, Toronto, Ontario, M9W 7J8 | Tel. 1.877.502.3434 | [info@delviro.com](mailto:info@delviro.com) | [www.delviro.com](http://www.delviro.com)

© delviro energy 2018

Specifications subject to change without notice.

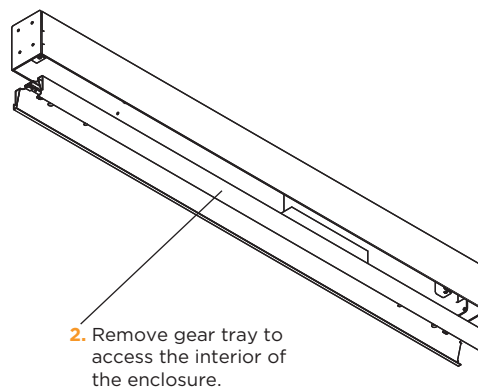
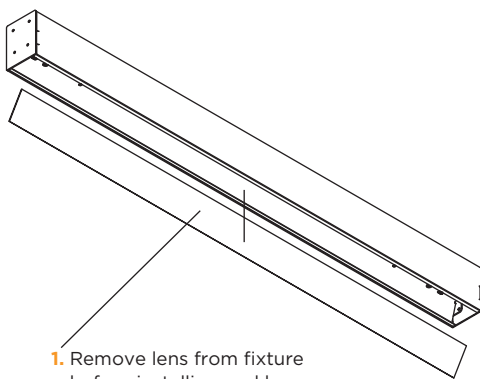
## DIMENSIONS



Note: End Cap Length: .09" | 2 End Caps add additional .180" in length

## SURFACE MOUNT INSTALLATION

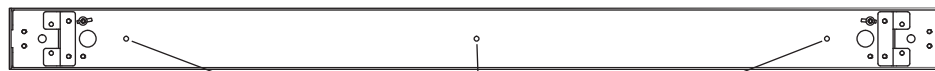
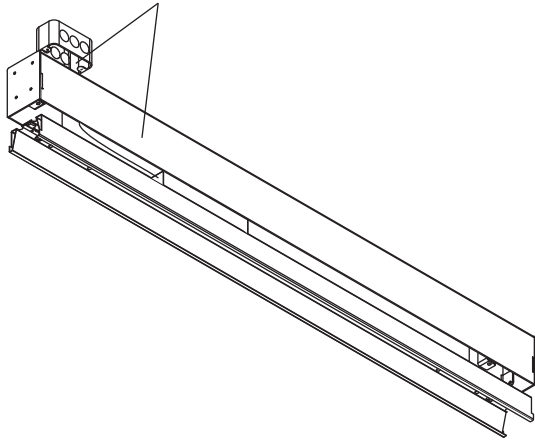
2" x 4" Junction box must be installed in ceiling surface



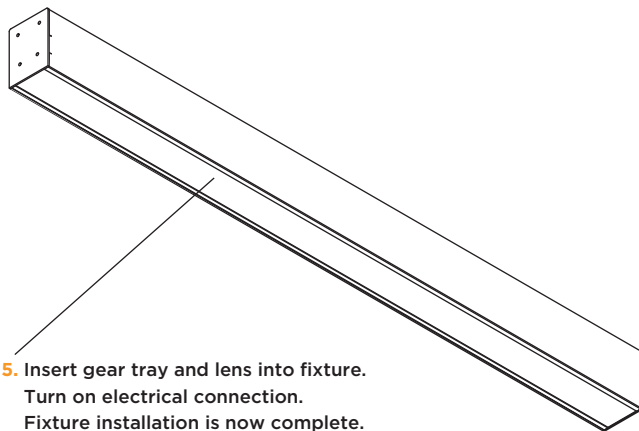
## SURFACE MOUNT INSTALLATION

---

3. Connect fixture wires to ceiling power wires.



4. Attach fixture to surface using the correct #1/4 screws at the location shown.



5. Insert gear tray and lens into fixture.  
Turn on electrical connection.  
Fixture installation is now complete.

---

### delviro energy

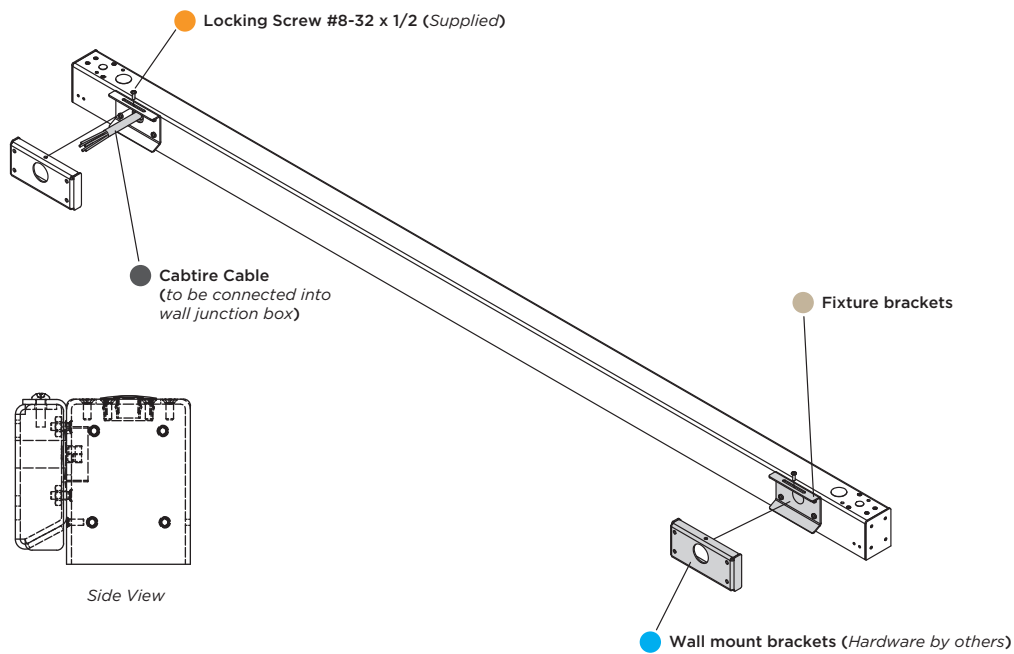
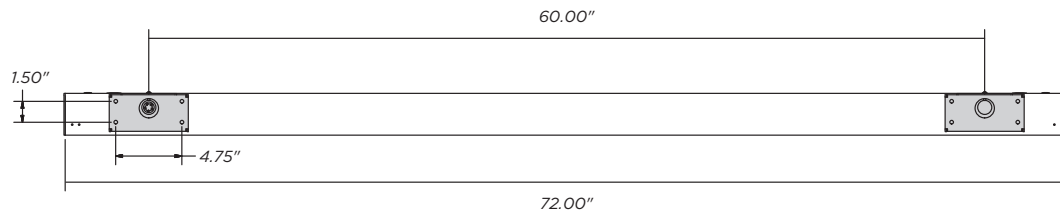
94 Brockport Drive, Toronto, Ontario, M9W 7J8 | Tel. 1.877.502.3434 | info@delviro.com | www.delviro.com

© delviro energy 2018

Specifications subject to change without notice.

## WALL MOUNT INSTALLATION

1. Mark the wall using the wall mount brackets (distance indicated below, can be with 1/2").
2. Mount wall brackets (hardware not supplied).
3. Hook fixture onto wall brackets.
4. Secure using #8 - 32 screw provided.



### delviro energy

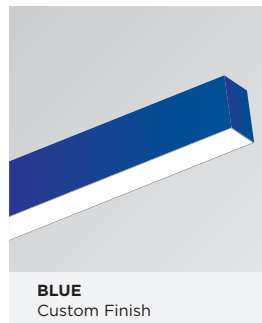
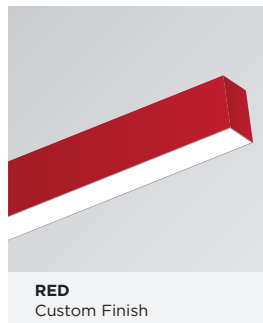
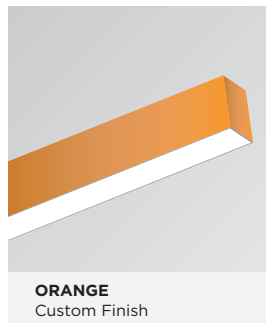
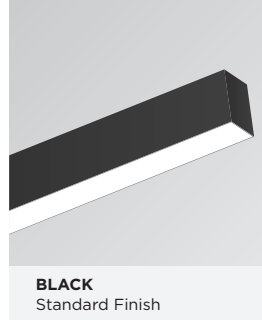
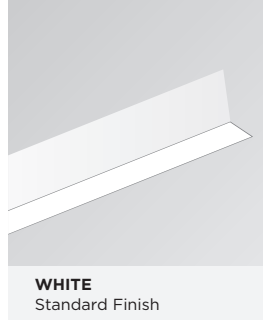
94 Brockport Drive, Toronto, Ontario, M9W 7J8 | Tel. 1.877.502.3434 | info@delviro.com | www.delviro.com

© delviro energy 2018

Specifications subject to change without notice.

## FINISH OPTIONS

---



ADDITIONAL FINISHES AVAILABLE  
Please contact [delviro.com](http://delviro.com) for more information

**ORDERING GUIDE**

MODEL	WATTS/ft	COLOR TEMP	VOLTAGE	LENS	FINISH	MOUNTING
<b>DTL2</b>	<b>2.5</b>	<b>3K</b> 3000K	<b>U</b> 120/277V	<b>FR</b> Frosted	<b>GRY</b> Grey	<b>SM</b> Surface Mount
<b>DTL4</b>	<b>3.5</b>	<b>35K</b> 3500K	<b>H</b> 347V	<b>LV</b> Louver	<b>WH</b> White	<b>WM</b> Wall Mount
<b>DTL6</b>	<b>5</b>	<b>4K</b> 4000K	<b>480V</b>		<b>BLK</b> Black	
<b>DTL8</b>	<b>7.5</b>	<b>5K</b> 5000K			<b>CU</b> Custom	
<b>DTLCR</b>	<b>10</b>					

WIDTH	WIRING	ACCESSORIES	TYPE	CUSTOM LENGTHS (DTLCR)
<b>3.18</b> 3.18"	<b>BFC</b> Black Flexible Cord <b>WFC</b> White Flexible Cord <b>GFC</b> Grey Flexible Cord <b>3 WIRE</b> 3 Conductor Wire ___ <b>5 WIRE</b> 5 Conductor Wire ___ <b>N</b> No Cord	<b>N</b> None <b>WC</b> Wireless Controls <b>DMX</b> <b>DALI</b> <b>10kV</b> 10kV Surge Protection <b>DIMOFF</b> 0-10 1% Dim to off Driver	<b>SU</b> Surface <b>SUWW</b> Surface Wall Wash	Specify Length Must be 2' Increments Greater than 10'
<b>3.18</b>				

**NOTE**

**DTLCR - Continuous Run** - Specify Custom Lengths, consult factory  
**480V** - Please consult factory  
**LV** - Please consult factory  
**CU** - Please consult factory