

INSTRUCTIONS

IMPORTANT SAFEGUARDS

When using electrical equipment, basic safety precautions should always be followed including the following:

1. **READ AND FOLLOW ALL SAFETY INSTRUCTIONS**
2. Disconnect power before performing work on electrical equipment.
3. Do not let power cords touch hot surfaces and do not mount near gas or electric heaters.
4. Use caution when servicing batteries. Battery acid can cause burns to skin and eyes. If acid is spilled on skin or eyes, flush with fresh water and contact a physician immediately.
5. Equipment should be mounted in locations and at heights where unauthorized personnel will not readily subject it to tampering.
6. The use of accessory equipment not recommended by Beluce Canada Inc., may cause equipment failure, and will void the unit's warranty.
7. Do not use this equipment for other than its intended purpose.
8. Servicing of this equipment should be performed by qualified service personnel.
9. **SAVE THESE INSTRUCTIONS!**

INSTALLATION

SURFACE MOUNT ONLY (WALL OR CEILING):

1. Orient the unit or wall or ceiling mount by turning the stems (figure 1).
2. **Product is heavy!** Mount the unit securely using appropriate mounting hardware (supplied by others) which will sustain the product's weight.
3. Open the main housing cover and unplug the wire-access hole.
4. Connect and seal appropriately rated conduit to the wire-access hole, and route necessary wires through.
5. Make electrical connections; see wiring diagram (figure 2)

Units with extra options may have some wiring variation; read information on provided labels.

- Connect remote lamp/load wires (if any) to lamp output terminals on charger board.

- Complete connection between batteries and circuit board.

Caution: Ensure correct polarity. A one-time polarity mismatch will damage circuit board.

- Connect AC supply wires as per colour code on wire labels. **Separately insulate exposed ends of unused wires!**

6. Re-attach the main housing cover.
7. Turn ON AC supply.

BATTERY DAMAGE:

DO NOT LEAVE BATTERIES CONNECTED, WITHOUT THE PRESENCE OF AC SUPPLY FOR MORE THAN 1 WEEK.

Allow 24 hours recharge time before running a full load test.

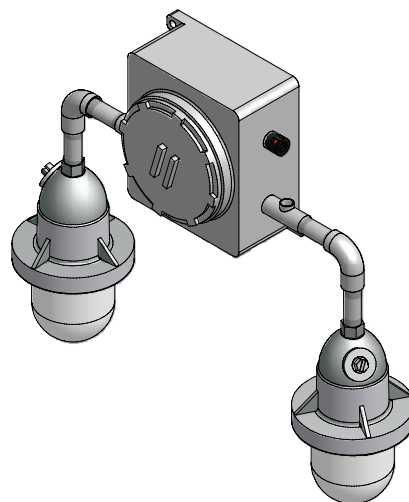
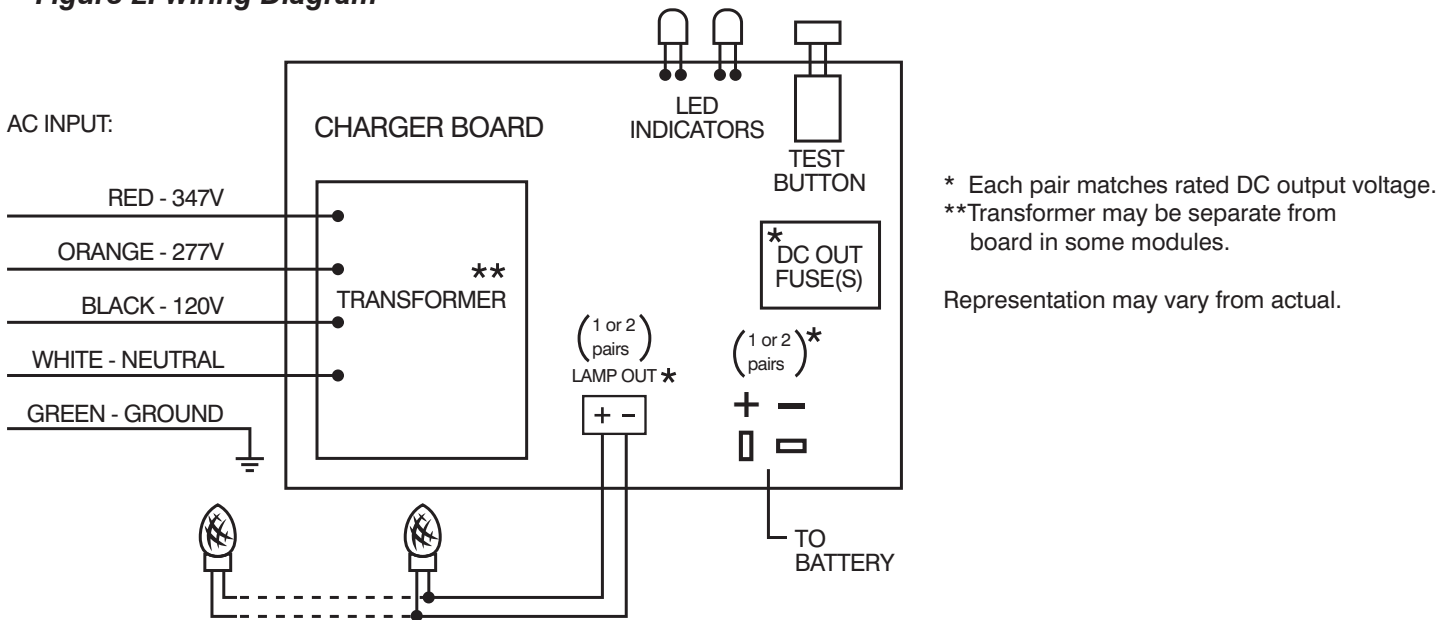


Figure 1

Figure 2. Wiring Diagram



BASIC TROUBLE SHOOTING:

Problem	Possible Reason	Solution
Emergency lamps do not turn ON in emergency mode	DC output fuse has blown, due to overload or short-circuit fault in lamp circuit	Locate and clear fault Replace fuse
	Lamp(s) are faulty	Replace lamp(s)
	Circuit board is defective	Replace circuit board
	Battery is faulty	Replace battery
Emergency lamps do not stay ON for required minimum duration	Battery is not fully charged	Recharge battery for up to 24 hours
	Battery is faulty	Replace battery
Emergency lamps turn ON when AC is present	Circuit board is faulty	Replace circuit board

SAVE THESE INSTRUCTIONS