

access

LIGHTING

Read & Save these Instructions Model: 20415 Installation & Operation Instructions

(1) TOOLS AND MATERIALS REQUIRED

- ❖ BLADE & PHILIPS SCREW DRIVER
- ❖ ADJUSTABLE WRENCH
- ❖ STEP LADDER
- ❖ WIRE CUTTERS
- ❖ WIRING SUPPLIES AS REQUIRED BY ELECTRICAL CODE
- ❖ 1 X A-19/100W LAMP

Attention:

Before assembling your lighting fixture, please read the following instructions. If you feel you do not have sufficient electrical experience, refer to a do-it-yourself wiring handbook or have your fixture installed by a qualified licensed electrician.

(2) GENERAL

1. To ensure the success of the installation, be sure to read these instructions and review the diagrams thoroughly before beginning
2. All electrical connections must be in accordance with local codes, ordinances, or the National Electrical Code. If you are unfamiliar with methods of installing electrical wiring, secure the services of a qualified licensed electrician
3. These fixtures are intended for mounting to a standard 4" x 2 1/4" deep metal octagon junction box. The box must be directly supported by the building structure and U.L. recognized.
4. Before commencing with the installation, disconnect the power by turning off the circuit breaker or by removing the fuse at the fuse box. Turning the power off using the light switch is not sufficient to prevent electrical shock.

NOTE:

The important safeguards and instructions appearing in this manual are not meant to cover all possible conditions and situations that may occur. It must be understood that common sense, caution and care are factors that cannot be built into any product. These factors must be supplied by the person(s) caring for and operating the fixture.

(3) UNPACKING THE FIXTURE

On checking the contents of the box you will find:

- ❖ Mounting Hardware Package
- ❖ Glass Diffuser
- ❖ Fixture Assembly

(4) PREPARING THE FIXTURE

Refer to figure for illustration of fixture parts and assembly.

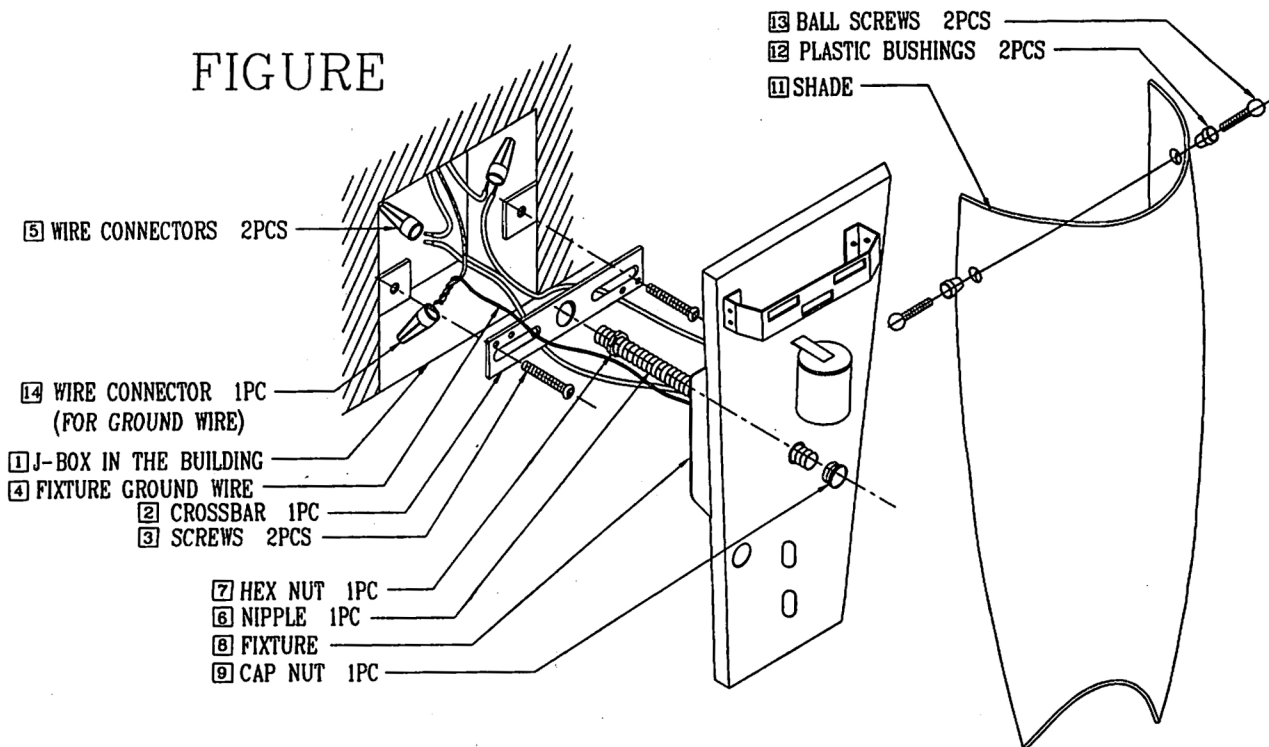
1. If you are replacing an existing fixture, disconnect and remove the old fixture. Expose the supply wiring from the (1) **J-box**.
2. Lay the un-assembled fixture on a soft surface and carefully remove all the packing material.
3. Fasten the (2) **Crossbar** to the (1) **J-box** with the (3) **Screws**.
4. Connect the fixture wires to the power wires in the J-Box. Connect the black fixture wire to the black power wire and the white fixture wire to the white power wire. Secure the connection with the supplied (5) **Wire connectors** and U.L. Listed electrical tape (not supplied).
5. Connect the (4) **Fixture ground wire** to the ground wire from the J-Box and secure with the (14) **Wire connector** and U.L. Listed electrical tape (not supplied).
6. Insert the (6) **Nipple** into the central hole of the (2) **Crossbar**, and adjust to suitable length.
7. Fasten the (7) **Hex nut** against the (6) **Nipple** so that the (6) **Nipple** will not rotate further.
8. Insert the (6) **Nipple** through the central hole of the (8) **Fixture** and secure against the wall with the (9) **Cap nut**.
9. Insert bulb into socket. **DO NOT EXCEED WATTAGE AS PER CAUTION LABEL.**
10. Restore electricity and check the operation of your new lighting fixture.
11. Insert the (12) **Plastic bushings** into the two side holes of the (11) **Shade** to prevent damage the (11) **Shade** by the (13) **Ball screws**.
12. Place the (13) **Ball screws** through the (12) **Plastic bushings** located in the two holes located on either side of the (11) **Shade**. Screw the (13) **Ball screws** into the holes on the (8) **Fixture**, designated for the (11) **Shade**. Handle the (11) **Shade** with care to prevent damage.

CAUTION:

- Ensure that the Fitting is Cool and Switched off, Before Changing the Bulb.
- Do Not use Bulbs Exceeding Maximum Wattage, As Per Caution Label.
- Do Not Operate the Lighting Fixture close to any Combustible Material.

PLEASE SEE DIAGRAM ON REVERSE SIDE OF PAGE

FIGURE



NOTE: THE APPEARANCE OF FIXTURE AND QUANTITY OF SOCKET(S) IS SUBJECT TO THE ACTUAL FIXTURE YOU RECEIVED, WHICH IS DIFFERENT FROM THE FIGURE IN THIS INSTRUCTION SHEET, BUT THE INSTALLING WAY IS SAME.